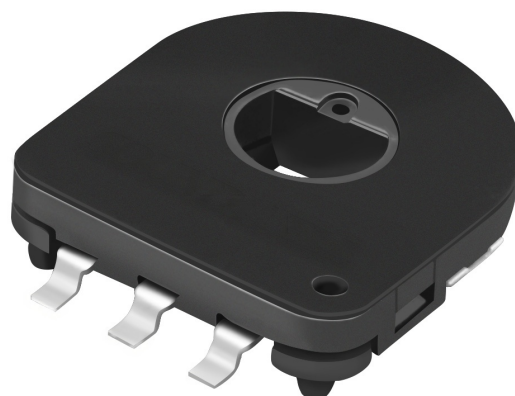


11 mm Position Sensor RG11



Mechanical specifications

Mechanical angle	360° Continuous rotation
Torque rotational	0~30gf.cm
Push-Pull Strength of Shaft	1kgf MAX
Terminal strength	0.3kgf MAX

Electrical specifications

Range of values	$2K\Omega \leq R_n \leq 100K\Omega$
Standard tolerance:	$\pm 20\%$
Max. voltage	200 VDC
Rating power 50°C	0.1 W
Taper	Linear
Effective electrical angle	$330^\circ \pm 2^\circ$
Line error	$\pm 2\%$
Operating temperature	-40 °C to +120 °C

Endurance specifications

Rotational life	1,000,000 cycles
-----------------	------------------

Features

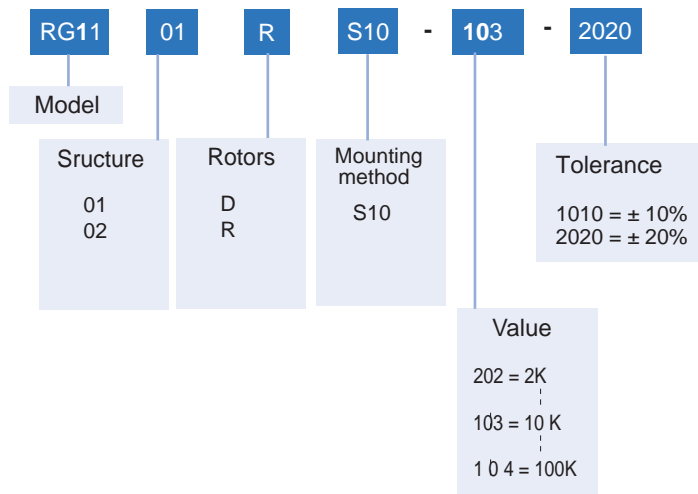
- 超薄型
- 可表面贴装
- 超长寿命
- * ROHS compliant

Applications

该产品广泛运用于机器人、无人机、智能家电及其它电气设备，通过机械的角位移输入量转换为与其成一定函数关系的电阻或电压输出

11 mm Position Sensor RG11

How to order



How to order examples

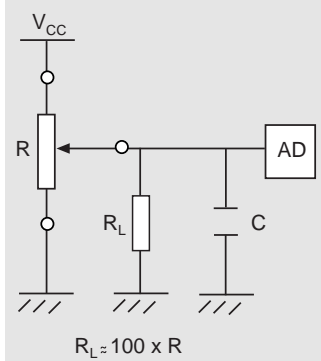
RG1101RS10-103

11mm potentiometer with rotor "R"
10K value and 20% resistive tolerance.

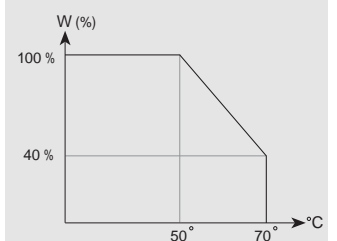
Standard values - tolerances

Resistance Ω	2K	5K	10K	20K	25K	50K	100K
How to order code	202	502	103	203	253	503	104
Standard tolerance	20%						

Recommended connections



Power rating curve

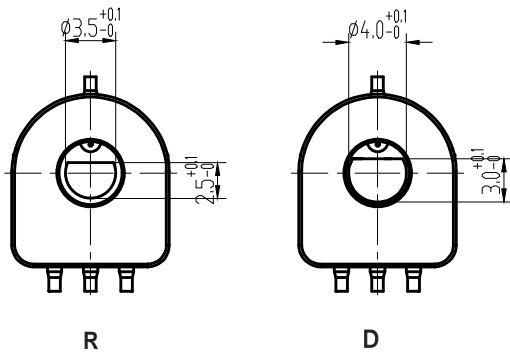


Soldering condition

Wave soldering	260±5 °C , 5±1second
Manual soldering	Max 350°C , within 3 second

11 mm Position Sensor RG11

Rotors



General tolerance

Dimension: Less than 10 ±0.3mm
 Above 10-30 ±0.5mm
 Above 30-100 ±1mm
 Angle: Above ___ ±5°

Mounting methods. Dimensions

S = SMT mounting – vertical adjustment

S10

